



SOLAHART SUNCELL SOLAR PANEL

SOLAHART350V1

The new high-performance Solahart SunCell panel is not only great value but is also custom designed and built to Solahart's strict specifications.

Solahart SunCell ticks all the boxes on durability and has passed endurance testing for up to three times more cycles than the international standard, which makes it an ideal solution in Australia's harsh conditions.

Reliable silicone connections also ensure excellent stability and durability. Other features include genuine Stäubli MC4 EVO2 connectors to secure a reliable connection and a sealed junction box that offers corrosion protection and water resistance.

The 12-Year Solahart Product Warranty provides ultimate confidence and peace of mind.

State-of-the-art half-cell technology:

For excellent performance under real conditions.

High efficiency:

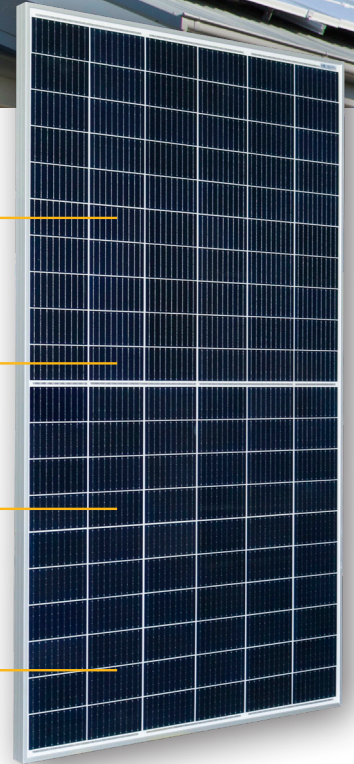
Optimal yields, more power generated per square metre.

Low electricity generation costs:

High energy produced per panel means you pay less for electricity generated.

Efficient, and durable:

Manufactured to specification and only available through Solahart.



**HIGH EFFICIENCY
PANEL TECHNOLOGY
OFFERING THE BEST
VALUE FOR MONEY**

HOW YOU BENEFIT



HIGH SOLAR YIELD

Innovative half-cell technology with excellent power efficiency that results in more energy production per square metre.



DURABILITY

Extensive durability testing for up to 3 times the international testing standard.



VALUE FOR MONEY

Cost-effective panel solution for a high return on your investment.



TRUSTED WARRANTIES

12-Year Solahart Product Warranty for peace of mind, plus, 25-Year Manufacturer's Performance Guarantee.*

Technical Data

MODEL SOLAHART350V1

Electrical Data	
Minimum performance at standard test conditions, STC ⁽¹⁾ (Power Tolerance +5 W / -0 W)	
Power at MPP ⁽²⁾ - P _{MPP}	350 W _p
Short circuit current ⁽²⁾ - I _{sc}	10.46 A
Open circuit voltage ⁽²⁾ - V _{oc}	42.44 V
Current at MPP [#] - I _{MPP}	9.94 A
Voltage at MPP [#] - V _{MPP}	35.22 V
Efficiency ⁽¹⁾ - η	20.6%
Minimum performance at normal operating conditions, NMOT ⁽³⁾	
Power at MPP - P _{MPP}	261.0 W _p
Short circuit current [#] - I _{sc}	8.41 A
Open circuit voltage [#] - V _{oc}	39.90 V
Current at MPP [#] - I _{MPP}	7.95 A
Voltage at MPP [#] - V _{MPP}	32.83 V

⁽¹⁾1000 W/m², 25±2°C, AM 1.5 G. ⁽²⁾Measurement tolerances P_{MPP} ±3%; I_{sc}, V_{oc} ±5% at STC. ⁽³⁾800 W/m², NMOT, spectrum AM 1.5 G. * Typical values, actual values may differ.

Other information	
Part Number	SOLAHART350V1
Solahart Product Warranty*	12 years
Manufacturer's Performance Guarantee*	25 years
Country of Manufacture	China

Mechanical Data	
Dimensions (H x W x D)	1692 x 1002 x 35 mm (including frame)
Weight	19.1 Kg
Glass thickness	3.2 mm
Backsheet	White
Frame	Silver Anodised Aluminium
Cell	6 x 20 monocrystalline solar half-cells
Number of diodes	3
Junction box	Protection class ≥ IP67, with bypass diodes
Cable	4 mm ² solar cable; (+) 1100 mm, (-) 1100 mm
Connector	Stäubli MC4 EVO2 connectors (PV-KST4 EVO 2 & PV-KBT4 EVO 2)

Manufacturer's Performance Guarantee

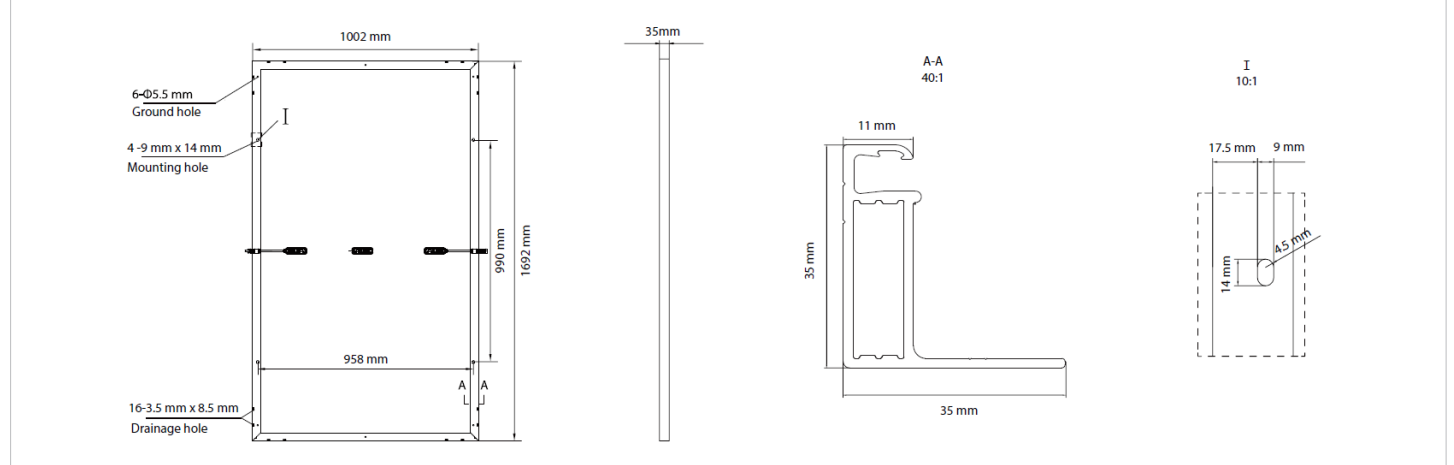
At least 98% of nominal power during the first year.
 Thereafter max 0.6% degradation per year.
 At least 84.8% of nominal power up to 25 years.
 All data within measurement tolerances.

Temperature Coefficients	
Normal module operating temperature (NMOT)	44±2°C
Temperature coefficient of P _{MPP} - γ	-0.34%/°C
Temperature coefficient of V _{oc} - β	-0.27%/°C
Temperature coefficient of I _{sc} - α	+0.04%/°C

Properties for System Design	
Maximum system voltage - V _{sys}	1500 V
Maximum reverse current - I _r	20 A
Maximum design load, Push / Pull	3600 / 1600 Pa
Maximum test load, Push / Pull	5400 / 2400 Pa
Safety class	II
Fire rating based on IEC / UL	Class C / TYPE 1

Qualifications and Certificates
 IEC 61215: 2016; IEC 61730: 2016, Application class II.

Dimensions - Measurements in mm



Licence Holder and Importer:
 Solahart Industries Pty Ltd., 1 Alan St. Rydalmere, NSW 2116, Australia.
 *For full details see Solahart Owner's Guide & Installation Instructions.

