

15-year Product Warranty
25-year Linear Power Warranty

HOW YOU BENEFIT



HIGH SOLAR YIELD

Innovative half-cell technology with excellent power efficiency that results in more energy production per square metre.



DURABILITY

Extensive durability testing for up to 3 times the international testing standard.



VALUE FOR MONEY

Cost-effective panel solution for a high return on your investment.



TRUSTED WARRANTIES

15-Year Solahart Product Warranty for peace of mind, plus, 25-Year Manufacturer's Performance Guarantee.*

390~415W

POWER RANGE

21.3%

MAX MODULE EFFICIENCY

≤ 2.0%

FIRST YEAR POWER DEGRADATION

≤ 0.55%

YEAR 2-25 POWER DEGRADATION

Solahart390V2/395V2/400V2/405V2/410V2/415V2

Electrical Specifications

STC: Irradiance 1000W/m², Cell Temperature 25° C, AM=1.5

Rated output (Pmpp / Wp)	390	395	400	405	410	415
Rated voltage (Vmpp / V)	30.76	30.92	31.09	31.26	31.43	31.60
Rated current (Impp / A)	12.68	12.77	12.86	12.96	13.05	13.13
Open circuit voltage (Voc / V)	36.60	36.80	37.00	37.20	37.40	37.60
Short circuit current (Isc / A)	13.40	13.52	13.65	13.76	13.88	13.99
Module efficiency	20.0%	20.2%	20.5%	20.7%	21.0%	21.3%

NMOT: Irradiance 800W/m², Ambient Temperature 20° C, AM=1.5, Wind Speed 1m/s

Rated output (Pmpp / Wp)	291.5	295.2	298.9	302.7	306.4	310.1
Rated voltage (Vmpp / V)	28.66	28.82	28.98	29.13	29.29	29.45
Rated current (Impp / A)	10.17	10.24	10.32	10.39	10.46	10.53
Open circuit voltage (Voc / V)	34.59	34.78	34.97	35.15	35.34	35.53
Short circuit current (Isc / A)	10.87	10.97	11.07	11.17	11.26	11.35

Power Sorting : 0~+5W Measurement tolerance +/- 3%

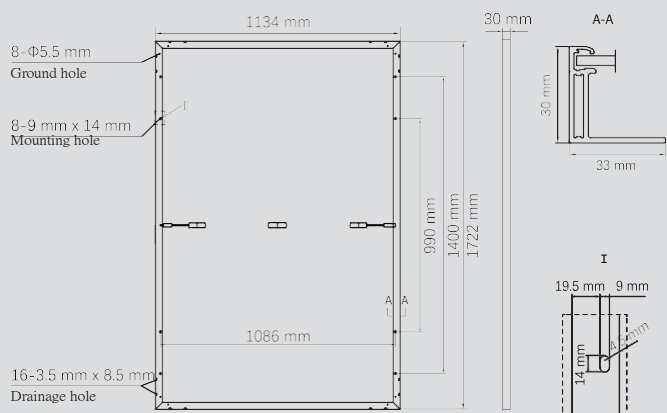
Temperature Ratings (STC)

Temperature coefficient (Pmpp)	-0.35%/°C	No. of diodes	3
Temperature coefficient (Isc)	+0.045%/°C	Junction box IP rating	IP 68
Temperature coefficient (Voc)	-0.27%/°C	Max. series fuse rating	25 A
Nominal module operating temperature (NMOT)	41±2°C	Max. system voltage (IEC/UL)	1500V _{DC}

Operating Parameters

Mechanical Specifications

Outer dimensions (L x W x H)	1722 x 1134 x 30 mm
Cell Type	P type Mono-crystalline
No. of cells	108 (6*18)
Frame technology	Aluminum, silver or black anodized
Front glass thickness	3.2 mm
Cable length (IEC/UL)	Portrait: 300 mm ; Landscape: 1200 mm
Cable diameter (IEC/UL)	4 mm ² / 12 AWG
① Maximum mechanical test load	5400 Pa (front) / 2400 Pa (back)
Connector type (IEC/UL)	Stäubli MC4 connectors
Module weight	21.6 kg (Tolerance +/- 1.0kg)
Packing unit	36 pcs / box
Fire rating	Class C
Country of Manufacture	China



① Maximum Mechanical Test Load=1.5×Maximum Mechanical Design Load. Specifications and designs included in this data sheet are subject to change without notice.

MADE IN CHINA

Solahart Industries Pty Ltd., 1 Alan St. Rydalmere, NSW 2116, Australia.

Solahart Australia 1300 769 475 | www.solahart.com.au

Curve

