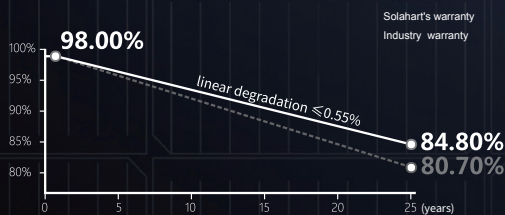
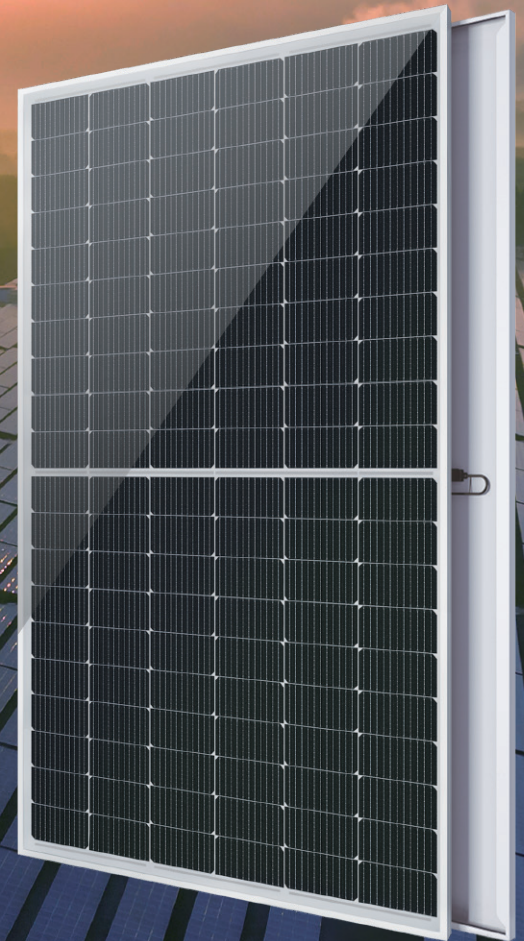


# SUNCELL COMMERCIAL SOLAR PANELS

SOLAHART450H2,  
SOLAHART455H2,  
SOLAHART460H2



15 Year Product Warranty  
25 Year Performance Warranty



IEC 61215  
IEC 61730  
Regular Production  
Schott Solar

www.solahart.com  
83 300000000

**450~460W**

POWER RANGE

**0~+5W**

POWER SORTING

**21.3%**MAX MODULE  
EFFICIENCY**≤ 2.0%**FIRST YEAR  
POWER DEGRADATION**≤ 0.55%**YEAR 2-25  
POWER DEGRADATION**SOLAHART450H2, SOLAHART455H2, SOLAHART460H2****Electrical Specifications****STC:** Irradiance 1000W/m<sup>2</sup>, Cell Temperature 25° C, AM=1.5

	450	455	460
Rated output (Pmpp / Wp)	450	455	460
Rated voltage (Vmpp / V)	34.83	35.00	35.17
Rated current (Impp / A)	12.92	13.00	13.08
Open circuit voltage (Voc / V)	41.45	41.65	41.85
Short circuit current (Isc / A)	13.71	13.81	13.91
Module efficiency	20.9%	21.1%	21.3%

**NMOT:** Irradiance 800W/m<sup>2</sup>, Ambient Temperature 20° C, AM=1.5, Wind Speed 1m/s

	450	455	460
Rated output (Pmpp / Wp)	336.3	340.0	343.8
Rated voltage (Vmpp / V)	32.46	32.62	32.78
Rated current (Impp / A)	10.36	10.42	10.49
Open circuit voltage (Voc / V)	39.17	39.36	39.55
Short circuit current (Isc / A)	11.12	11.20	11.29

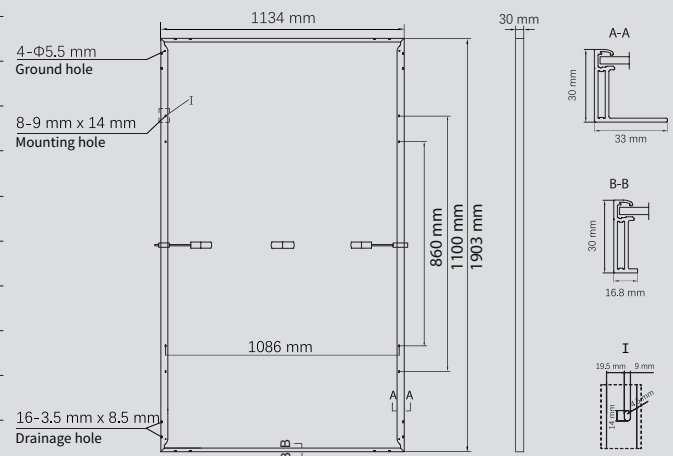
Power Sorting: 0~+5W      Measurement tolerance +/- 3%

**Temperature Ratings (STC)**

Temperature coefficient (Pmpp)	-0.34%/°C	No. of diodes	3
Temperature coefficient (Isc)	+0.04%/°C	Junction box IP rating	IP 68
Temperature coefficient (Voc)	-0.25%/°C	Max. series fuse rating	25 A
Nominal module operating temperature (NMOT)	41±2°C	Max. system voltage (IEC/UL)	1500V <sub>DC</sub>

**Operating Parameters****Mechanical Specifications**

Outer dimensions (L x W x H)	1903 x 1134 x 30 mm
Cell type	P type mono-crystalline
No. of cells	120 (6*20)
Frame technology	Aluminum, silver anodized
Front glass thickness	3.2 mm
Cable length (Including connector)	Portrait: (+)350 mm, (-)250 mm; Customized length
Cable diameter (IEC/UL)	4 mm <sup>2</sup> / 12 AWG
① Maximum mechanical test load	5400 Pa (front) / 2400 Pa (back)
Connector type (IEC/UL)	Stäubli MC4 connectors
Module weight	23.8 kg
Packing unit	36 pcs / box
Fire Rating	Class C
Country of Manufacture	China



① Maximum Mechanical Test Load=1.5×Maximum Mechanical Design Load.

**Curve**